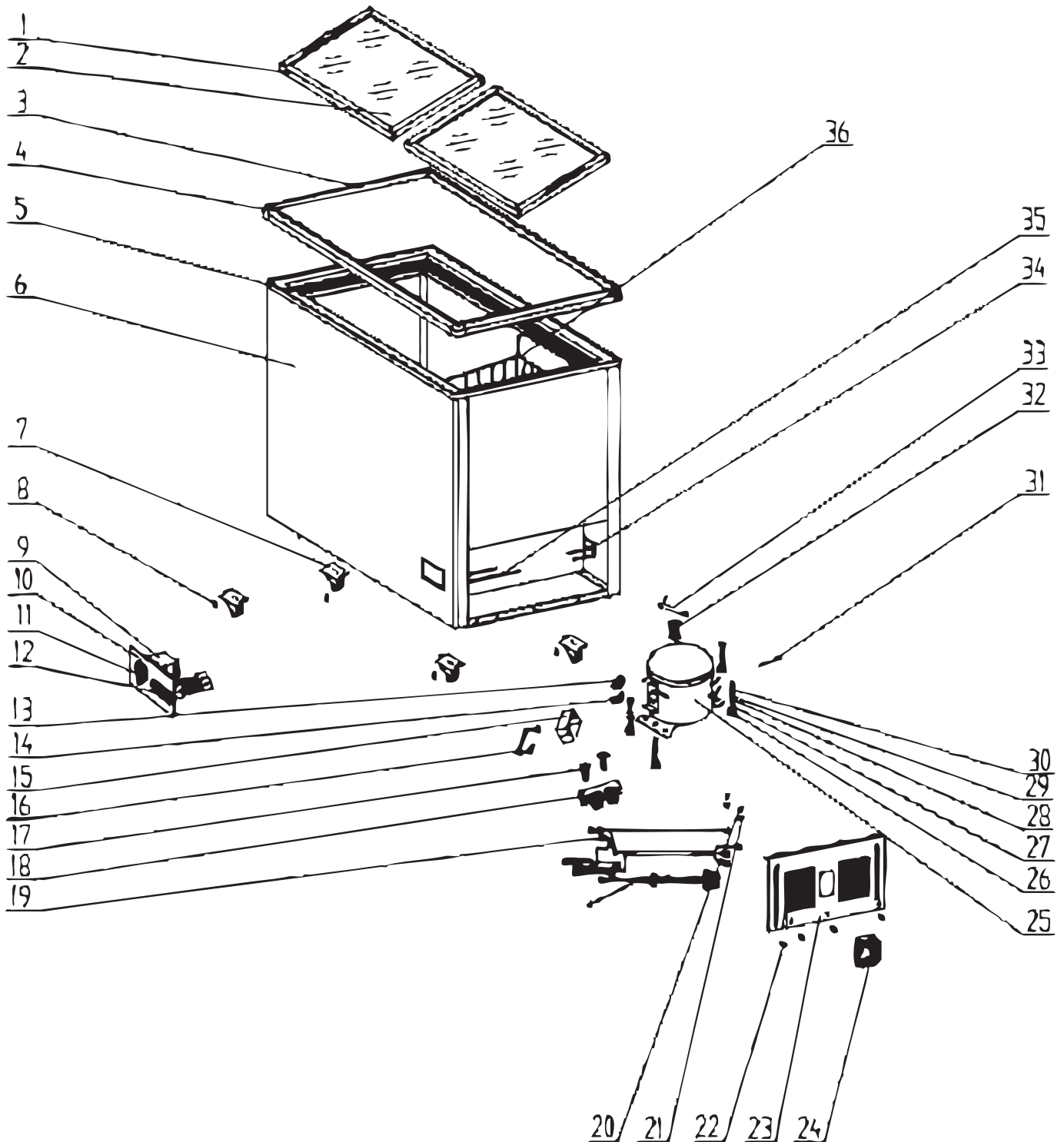


Parts Breakdown

Model FR-CN-0320 45293



Parts Breakdown

Model FR-CN-0320 45293

Item No.	Description	Position	Item No.	Description	Position	Item No.	Description	Position
64470	Upper Door for 45293	1	79777	PTC Starter for 45293	14	79787	Connecting Sleeve for 45293	27
79767	Lower Door for 45293	2	79778	Protector for 45293	15	79788	Washer for 45293	28
79768	Aluminum Alloy Frame for 45293	3	79779	Cover for 45293	16	79789	Spring Hooks for 45293	29
79770	Corner for 45293	4	79780	Clamp for 45293	17	79790	Bolt for 45293	30
64472	Cabinet Plastic Frame for 45293	5	64474	Screw for 45293	18	AE744	Bolt for 45293	31
79771	Cabinet for 45293	6	79781	Printable Double-Hollow Wire Clamp for 45293	19	64478	Back Condenser for 45293	32
79803	Castor for 45293	7	79783	Power Plug for 45293	20	79792	Fan Motor for 45293	33
64473	Screw for 45293	8	64475	Copper Screw for 45293	21	79793	Charge Pipe for 45293	34
AE741	Castor with Brakes for 45293	9	64476	Washer for 45293	22	79794	Filter Support for 45293	35
79804	Thermostat for 45293	10	64477	Tapping Screw for 45293	23	79823	Filter for 45293	36
79805	Thermostat Control Panel for 45293	11	79784	Shutter for 45293	24	79796	Back Condensor for 45293	37
79806	Thermostat Knob for 45293	12	79785	Compressor for 45293	25	43825	Basket for 45293	38
39587	Indicator Lamp for 45293	13	79786	Rubber Boot for 45293	26	AE745	Key for 45293	